



ONAG

SBIG AO-8 Adapter plate installation

Rev. 1.0 - 2011 © Innovations Foresight, LLC

<http://InnovationsForesight.com>

1. Introduction

Thank you for purchasing our ONAG AO-8 adapter plate. This product has been designed to work with a SBIG adaptive optics unit AO-8 (<http://ftp.sbig.com/sbwhtmls/ao8.htm>).

Please note this product was not designed, or intended by the manufacturer for use by child 12 years of age, or younger.

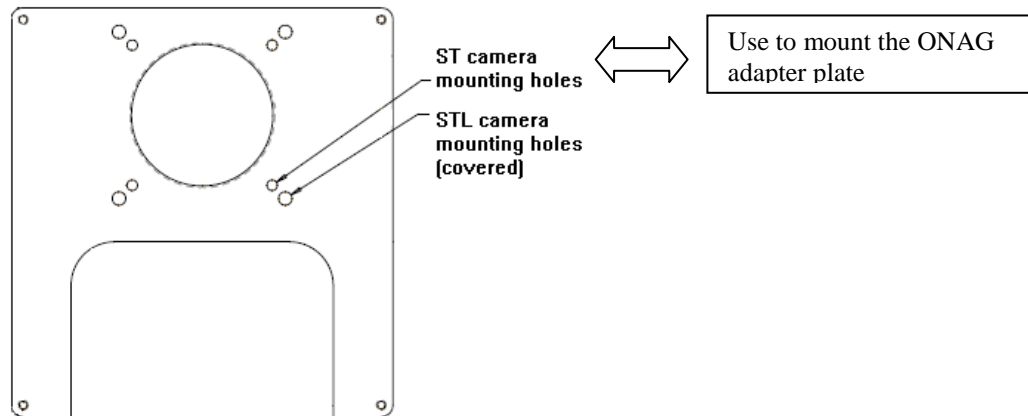
This document explains how to install the ONAG adapter plate AP.

The AP comes with four M2 x 8mm metric screws. You will need the original SBIG AO-8 bottom plate BP and associated 4-40 x 1/2" socket head screws + washers.

Please refer to your SBIG AO-8 user manual.

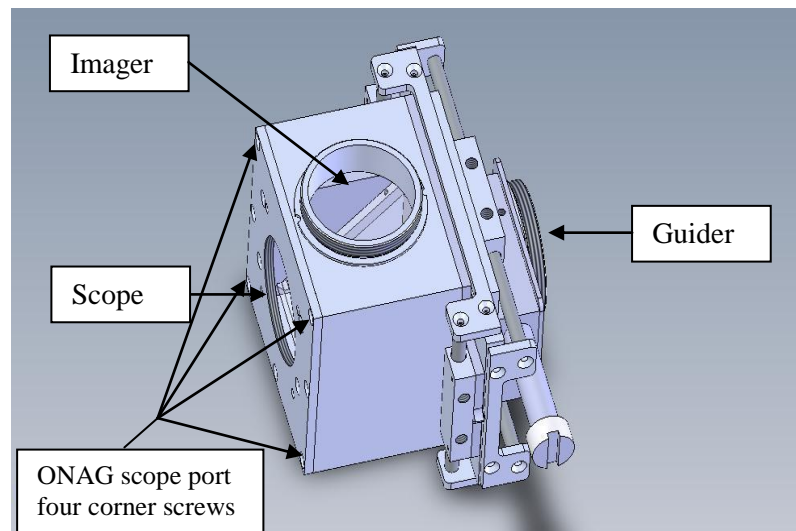
2. Installation

The SBIG BP is shown in the picture below. There are two sets of hole, the ONAG AP uses the ST camera mounting holes.



SBIG bottom plate & mounting holes. The ONAG AP uses ST camera holes

First remove the SBIG BP then remove the ONAG scope port four corner screws (M2), see below (REMOVE ONLY those screws!).

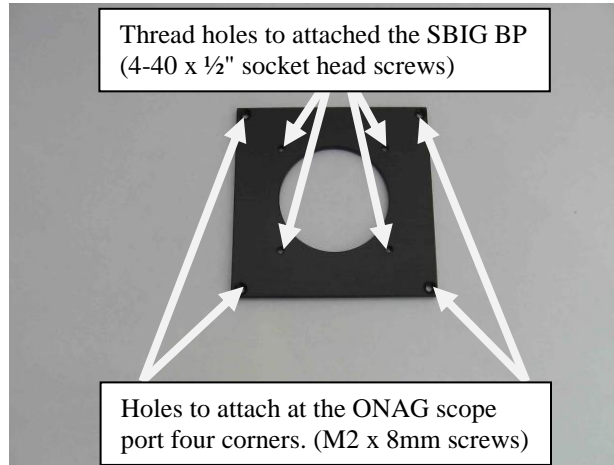


ONAG ports: Remove ONLY the four corner screws of the scope port

DO NOT REMOVE OR LOOSE ANY OTHER SCREWS than the four ones at the ONAG scope port corner. Doing so will free the dichroic mirror and it may fall, or at the very least lose its alignment.

Now using the four ONAG scope port corner threaded holes attached the ONAG AP to the ONAG scope port with the provided four M2 x 8mm screws.

Then using the SBIG 4-40 x 1/2" socket head screws and washers attached the SBIG BP to the ONAG AP.



Finally you are ready to place the SBIG BP back to the SBIG AO-8 with the ONAG attached to it.